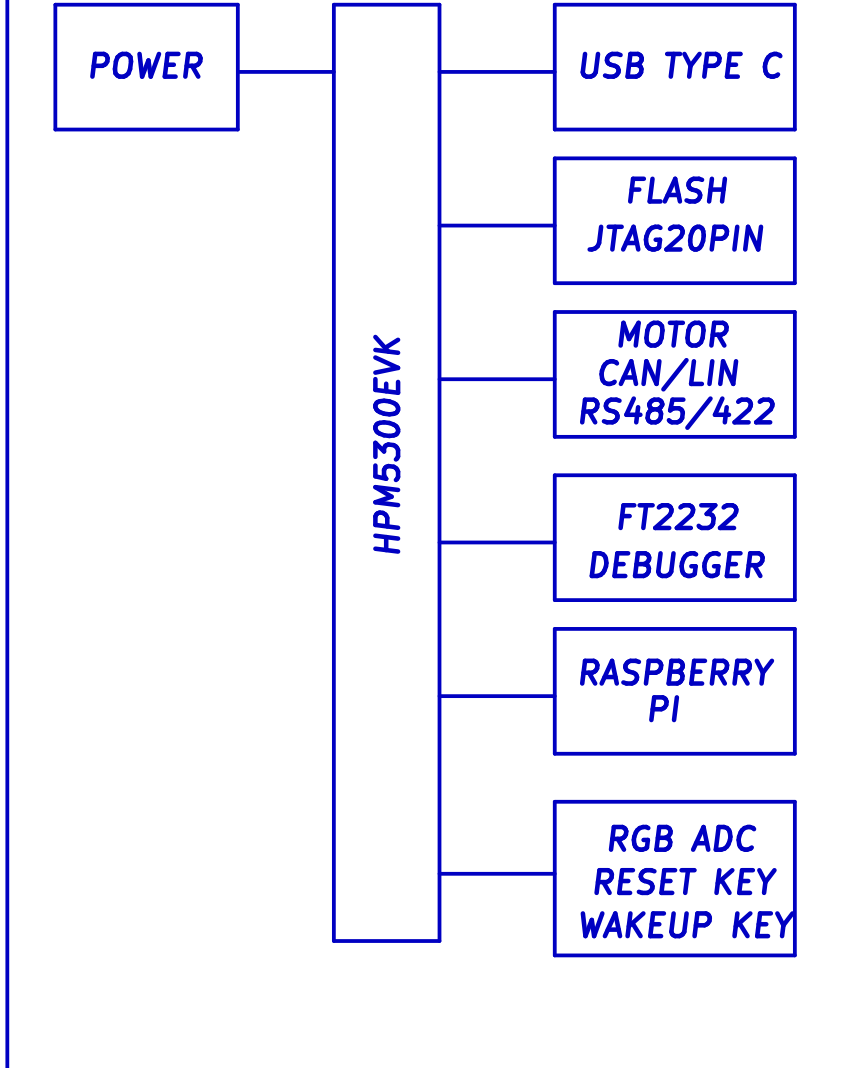


System block diagram



File: HPM5300 EVK MAINENTRY.kicad_sch

修订历史	
内容	时间
HPM5300EVK_RevC	20230731

System block diagram



Sheet File:

Title: HPM5300 EVK REVC

Size: A4

Date: 2023-07-31

Rev: REVC

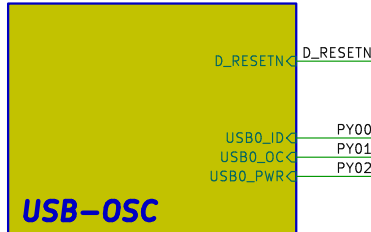
KiCad E.D.A. kicad 7.0.6

Id: 1/9

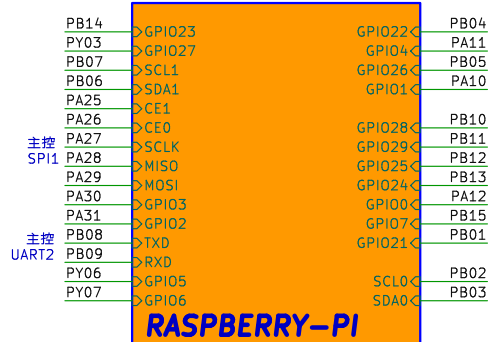
01-HPM5300-POWER



File: 01-HPM5300-POWER.kicad_sch
02-HPM5300-USB-OSC



File: 02-HPM5300-USB-OSC.kicad_sch
07-HPM5300-RASPERRY-PI

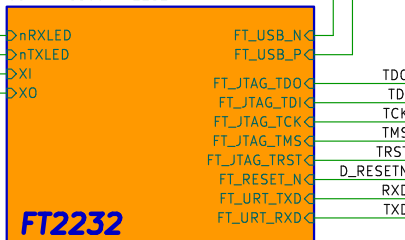


File: 07-HPM5300-RASPERRY-PI.kicad_sch

05-HPM5300-DEBUGGER

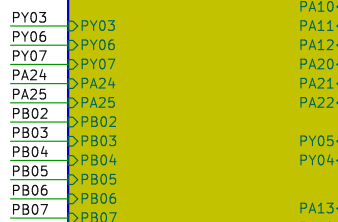
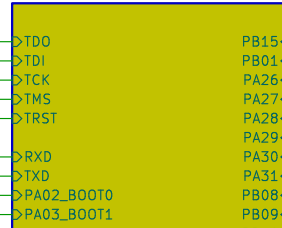


File: 05-HPM5300-DEBUGGER.kicad_sch
06-HPM5300-FT2232



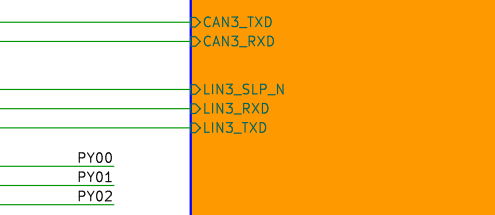
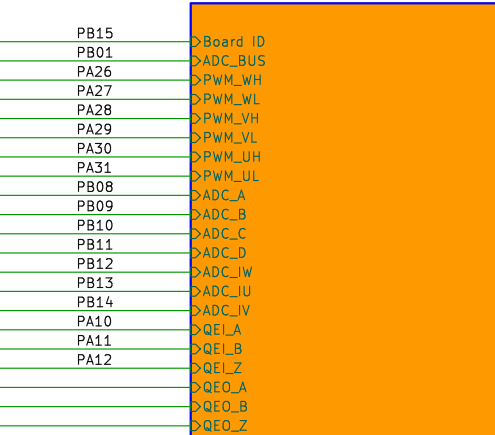
File: 06-HPM5300-FT2232.kicad_sch

03-HPM5300-JTAG-FLASH



File: 03-HPM5300-JTAG-FLASH.kicad_sch

04-HPM5300-MOTOR



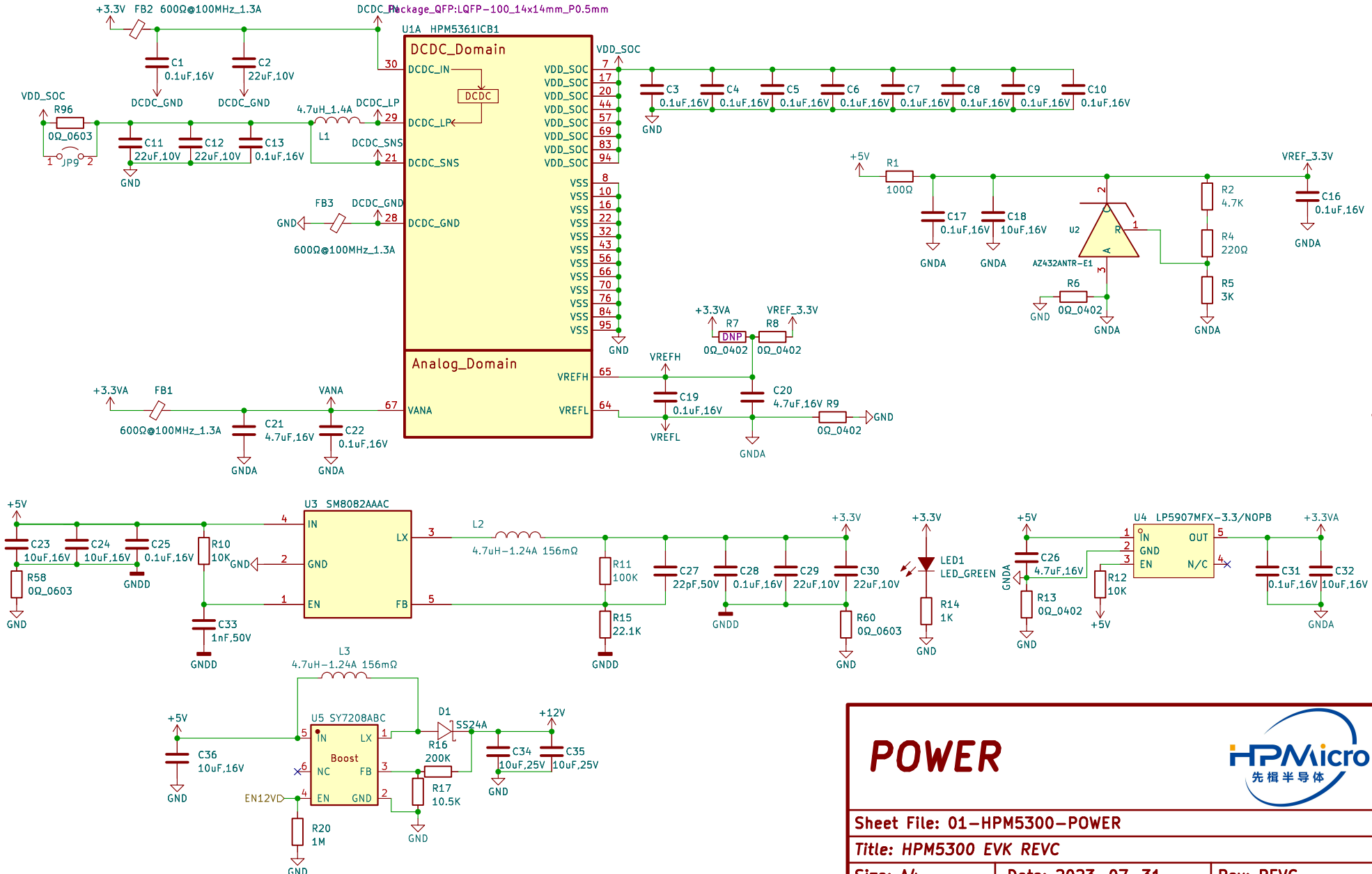
File: 04-HPM5300-MOTOR.kicad_sch

MAINTENTRY



Sheet File: HPM5300 EVK MAINENTRY		
Title: HPM5300 EVK REVC		
Size: A4	Date: 2023-07-31	Rev: REVC
KiCad E.D.A. kicad 7.0.6	Id: 2/9	

PWR_Domain

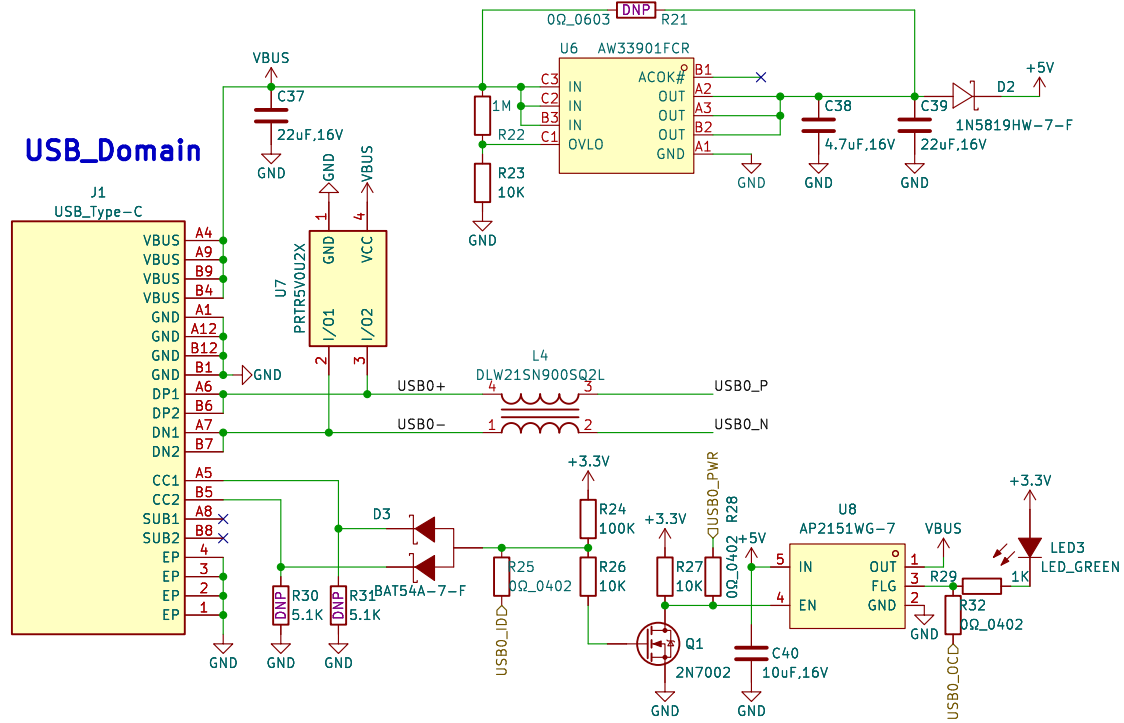


POWER

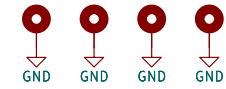
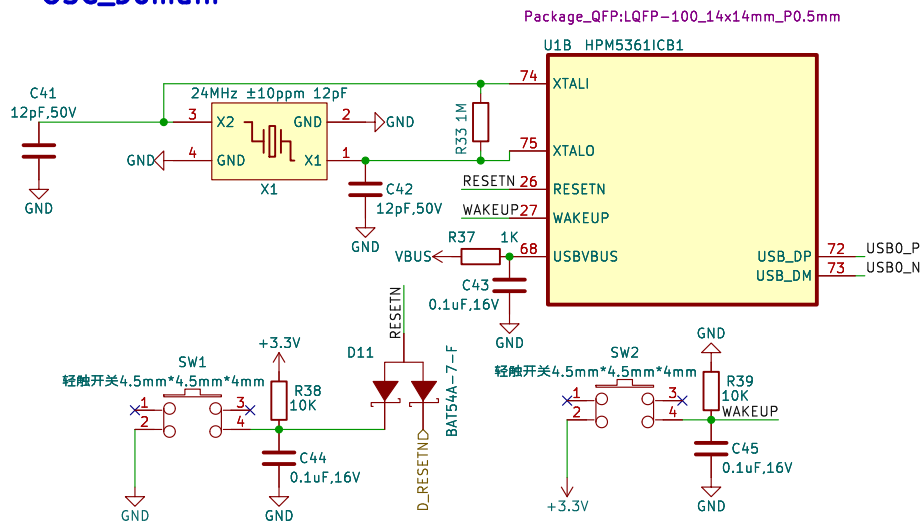
先楦半导体

Sheet File: 01-HPM5300-POWER		
Title: HPM5300 EVK REVC		
Size: A4	Date: 2023-07-31	Rev: REVC
KiCad E.D.A. kicad 7.0.6		Id: 3/9

USB_Domain



OSC_Domain



USB-OSC



Sheet File: 02-HPM5300-USB-OSC

Title: HPM5300 EVK REVC

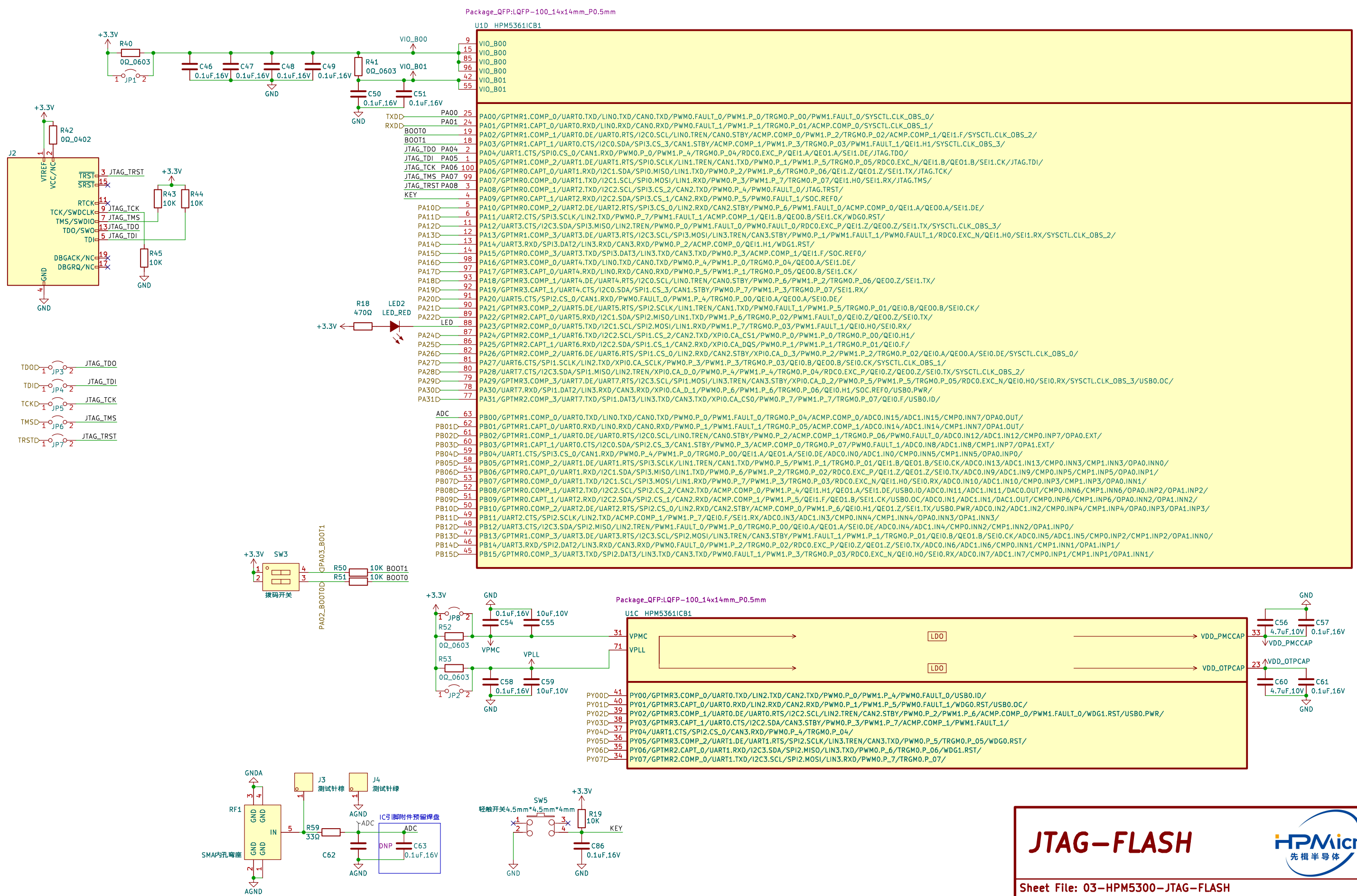
Size: A4

Date: 2023-07-31

Rev: REVC

KiCad E.D.A. kicad 7.0.6

Id: 4/9

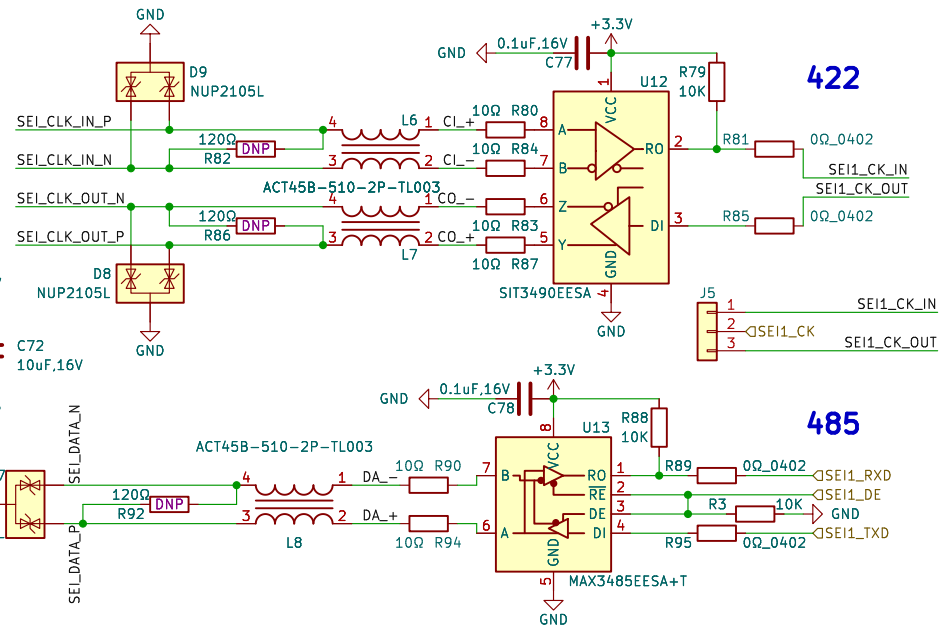
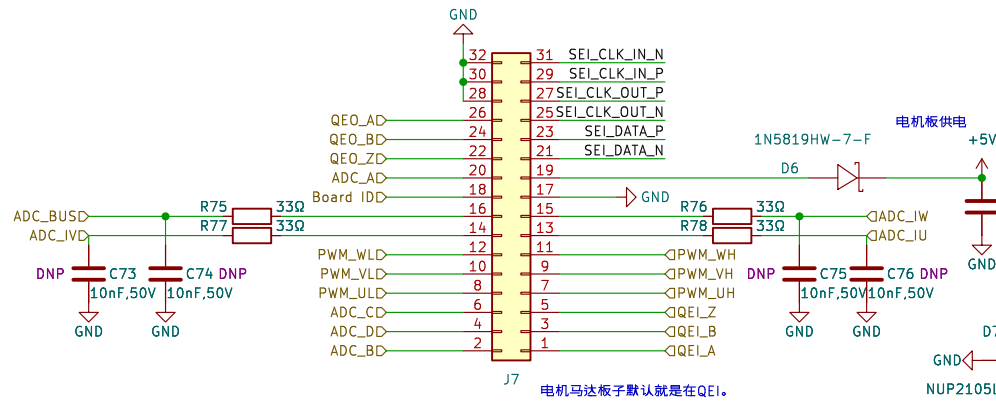


JTAG-FLASH

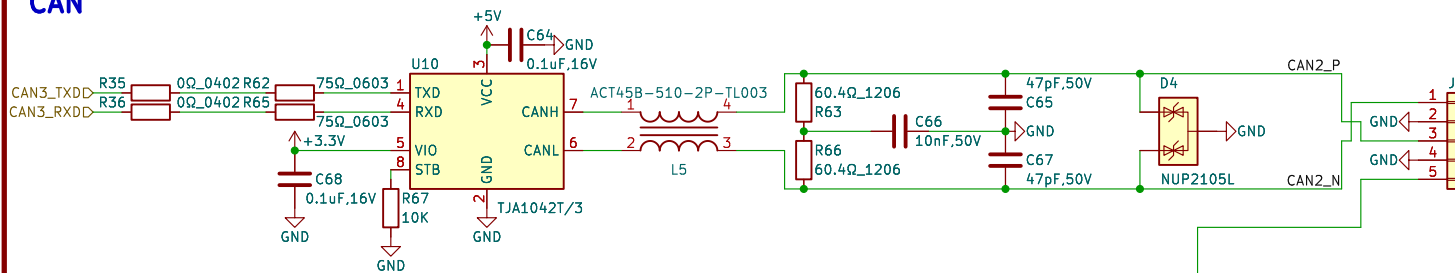
HPMicro
先核半导体

Sheet File: 03-HPM5300-JTAG-FLASH		
Title: HPM5300 EVK REVC		
Size: A3	Date: 2023-07-31	Rev: REVC
KiCad E.D.A. kicad 7.0.6		Id: 5/9

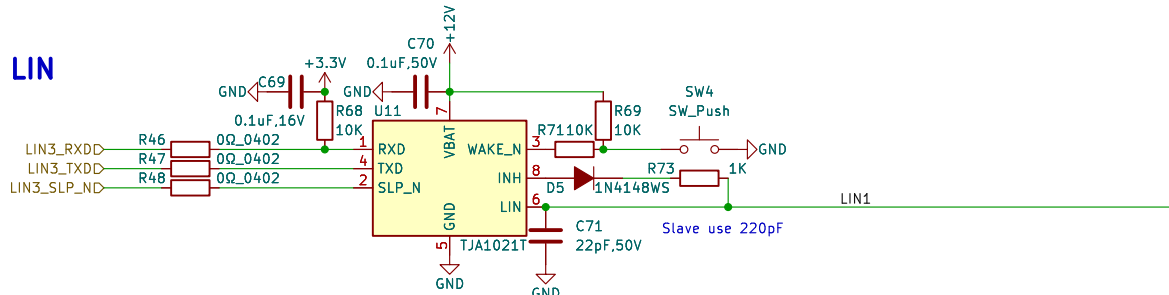
Motor



CAN



LIN



MOTOR



Sheet File: 04-HPM5300-MOTOR

Title: HPM5300 EVK REVC

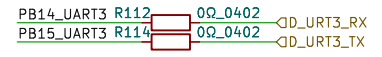
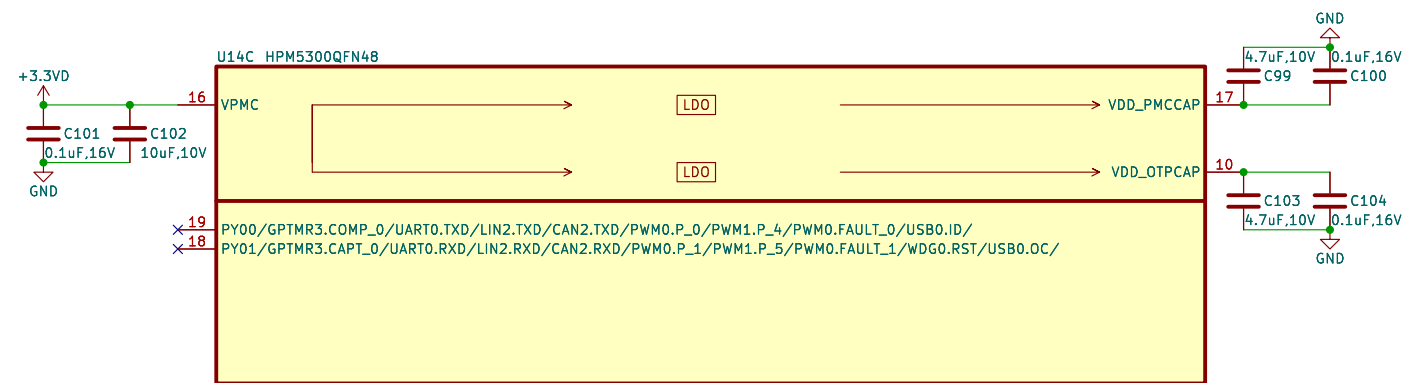
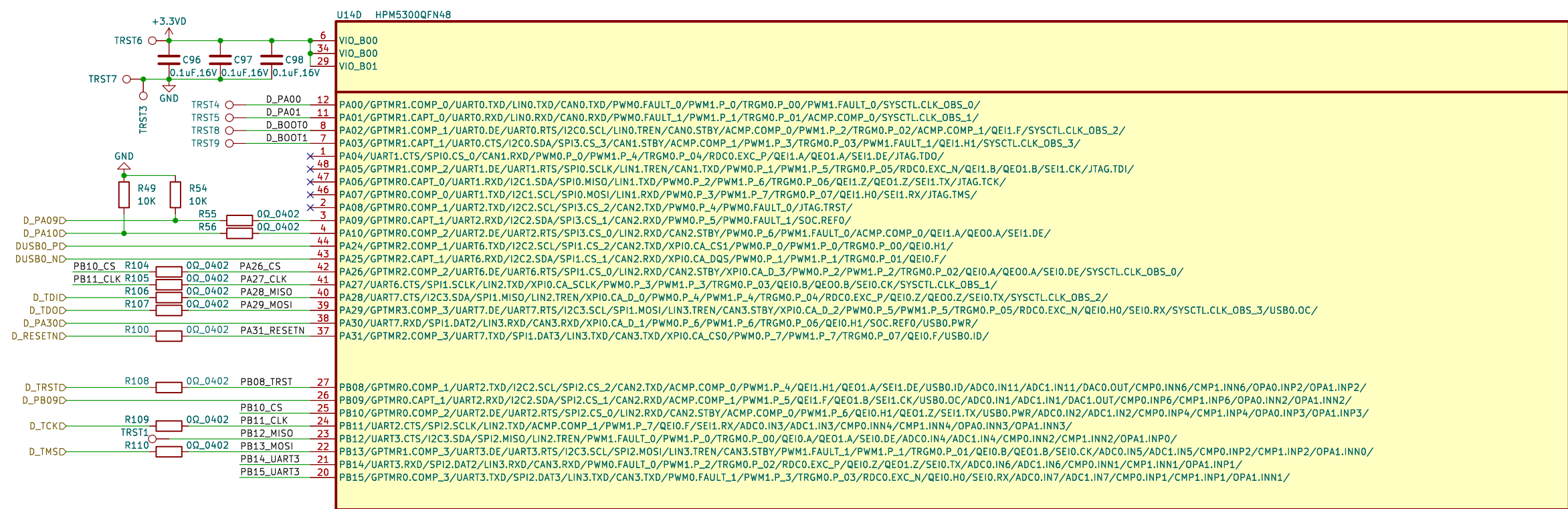
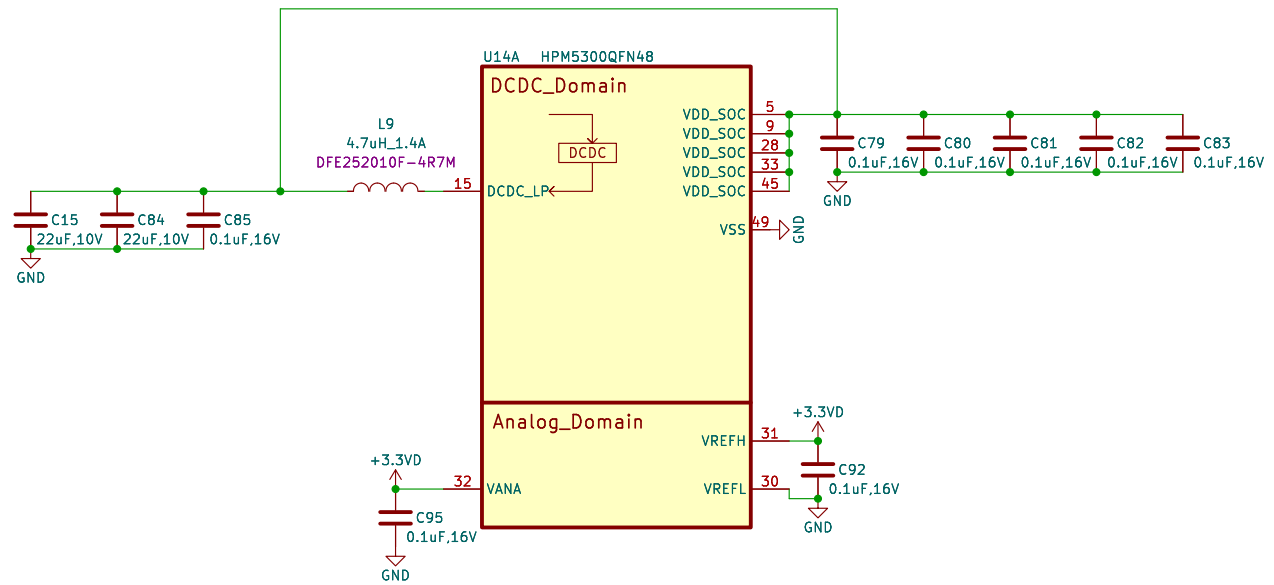
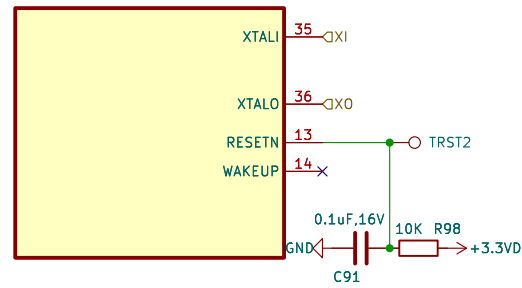
Size: A4

Date: 2023-07-31

Rev: REVC

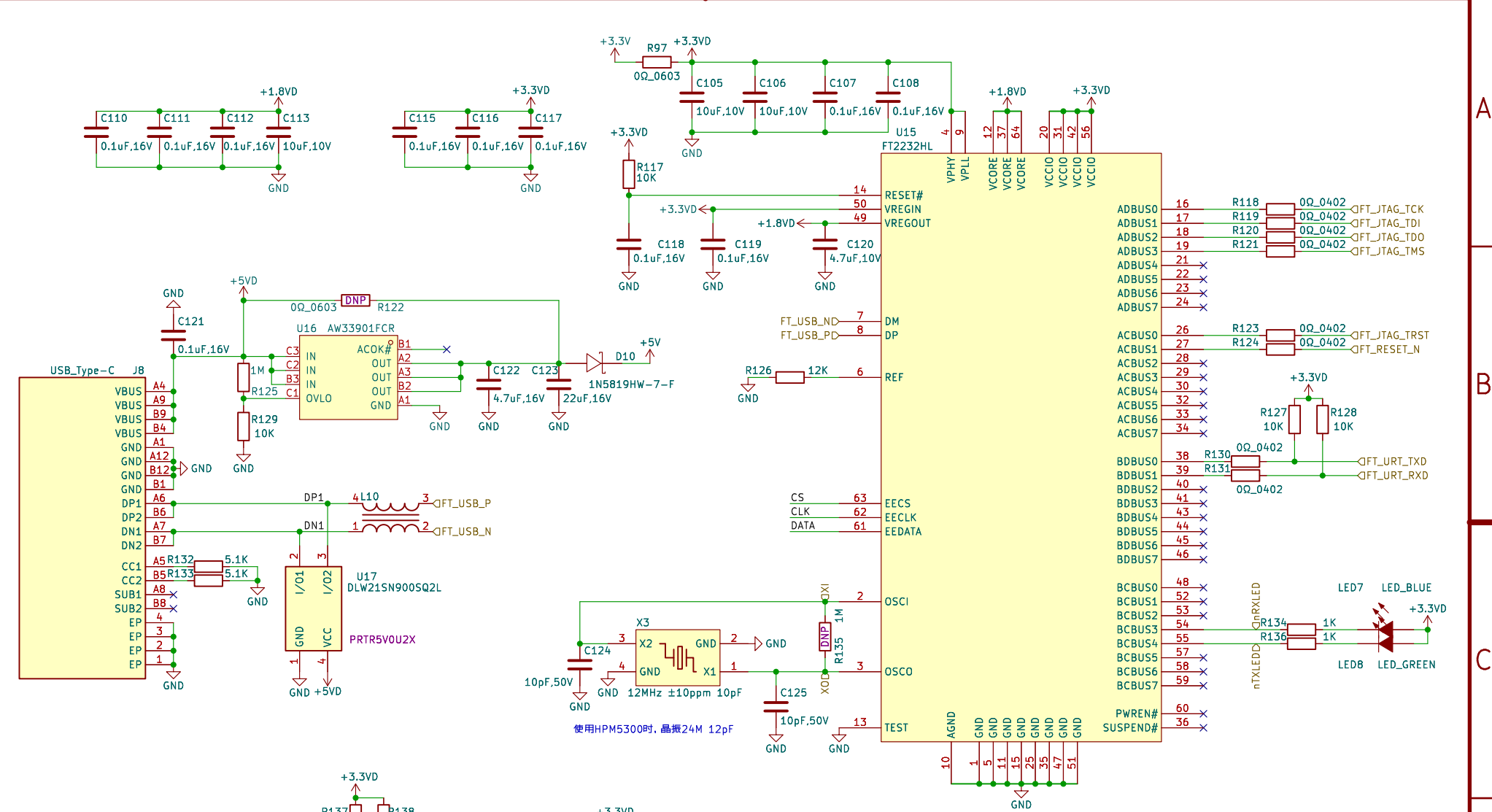
KiCad E.D.A. kicad 7.0.6

Id: 6/9



DEBUGGER

Sheet File: 05-HPM5300-DEBUGGER		
Title: HPM5300 EVK REV C		
Size: A3	Date: 2023-07-31	Rev: REVC
KiCad E.D.A. kicad 7.0.6		Id: 7/9

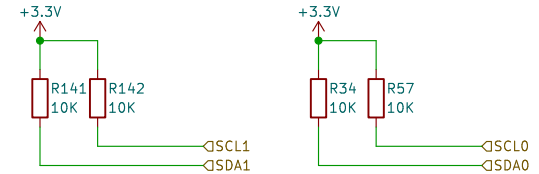
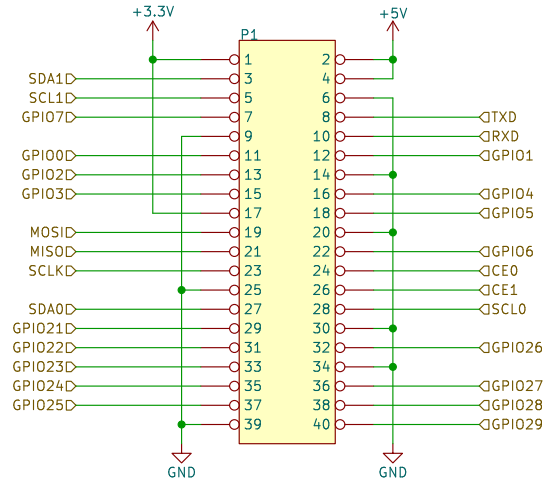


FT2232

HPMicro
先楦半导体

Sheet File: 06-HPM5300-FT2232		
Title: HPM5300 EVK REVC		
Size: A4	Date: 2023-07-31	Rev: REVC
KiCad E.D.A. kicad 7.0.6		Id: 8/9

树莓派接口



RASPBERRY-PI



Sheet File: 07-HPM5300-RASPBERRY-PI

Title: HPM5300 EVK REVC

Size: A4 Date: 2023-07-31 Rev: REVC

KiCad E.D.A. kicad 7.0.6 Id: 9/9